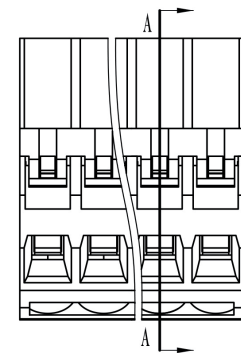
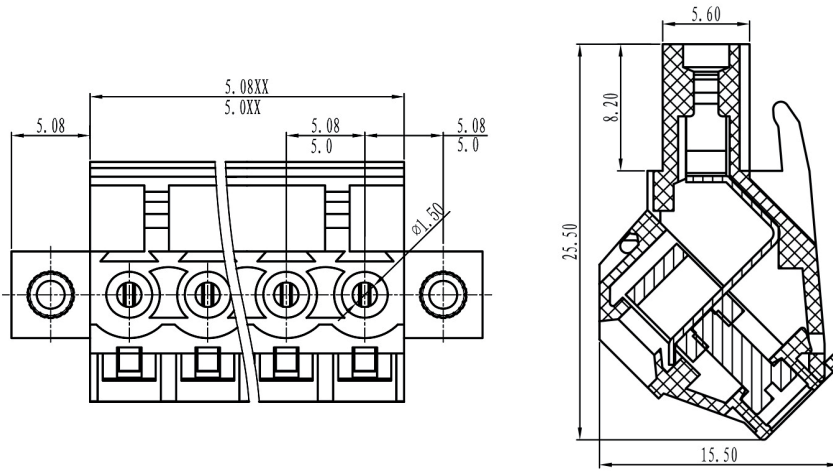


# PCB Terminal Blocks Connector, 45 Degree Angled Wire Entry with Screw Lock ASIWJ2EDGKLM-5.08



Certification	
Material	
Lock Screw	M2.5 Steel, Tin Plated
Screw	M3.0 Steel, Tin Plated
Pin/Plate	Phosphor Bronze, Nickel Plated
Cage	Brass, Nickel Plated
Housing	PA66, UL 94V-0, Green
Electrical	
Standard	UL 1059/CSA C22.2 No. 158
Rated Voltage	300 V
Rated Current	15 A
Wire Range	28-14 AWG
Contact Resistance	20mΩ
Insulation Resistance	500MΩ/500 Vdc
Withstand Voltage	2000 Vac/1 Min
Mechanical	
Temperature Range	-40°C...+105°C
Torque	0.5N-m (4.4lb-in)
Strip Length	7-8 mm (0.28-0.31")
Size	
Pitch	5.08 mm (.200")
Poles	2P-16P. Additional sizes available on request.

Item	No. of Poles	Length (mm)
ASIWJ2EDGKLM-5.08-2P	2	20.32
ASIWJ2EDGKLM-5.08-3P	3	25.4
ASIWJ2EDGKLM-5.08-4P	4	30.48
ASIWJ2EDGKLM-5.08-5P	5	35.56
ASIWJ2EDGKLM-5.08-6P	6	40.64
ASIWJ2EDGKLM-5.08-7P	7	45.72
ASIWJ2EDGKLM-5.08-8P	8	50.8
ASIWJ2EDGKLM-5.08-9P	9	55.88
ASIWJ2EDGKLM-5.08-10P	10	60.96
ASIWJ2EDGKLM-5.08-11P	11	66.04
ASIWJ2EDGKLM-5.08-12P	12	71.12
ASIWJ2EDGKLM-5.08-13P	13	76.2
ASIWJ2EDGKLM-5.08-14P	14	81.28
ASIWJ2EDGKLM-5.08-15P	15	86.36
ASIWJ2EDGKLM-5.08-16P	16	91.44